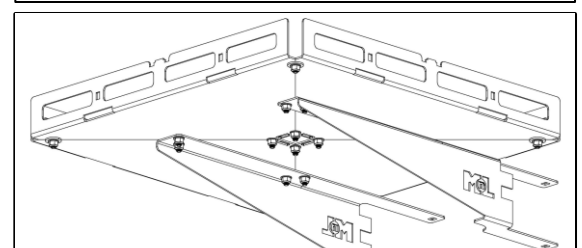
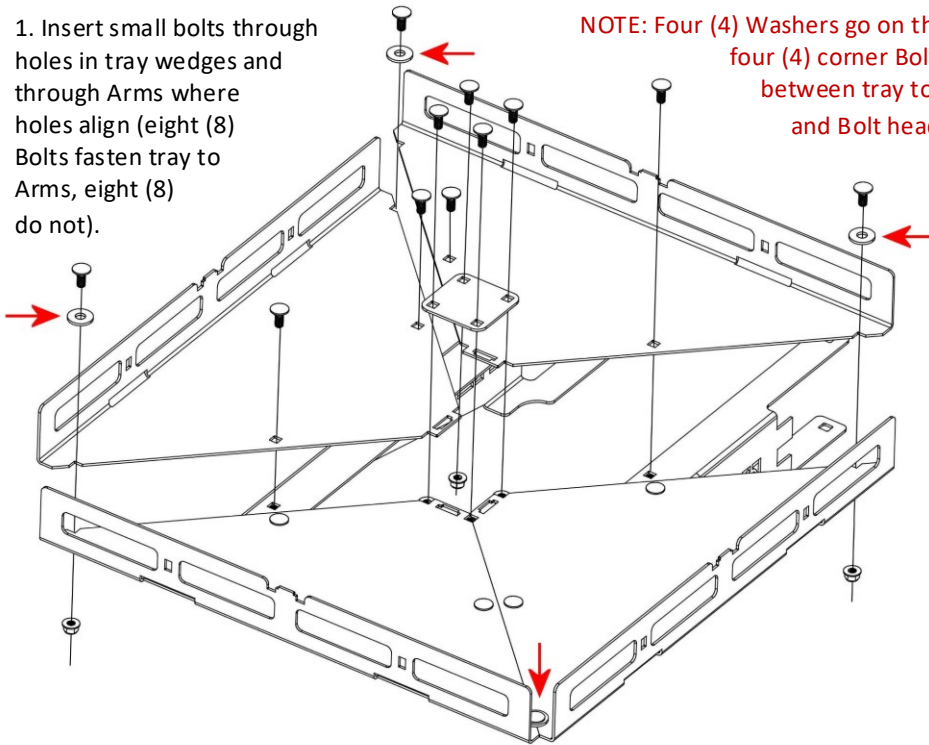
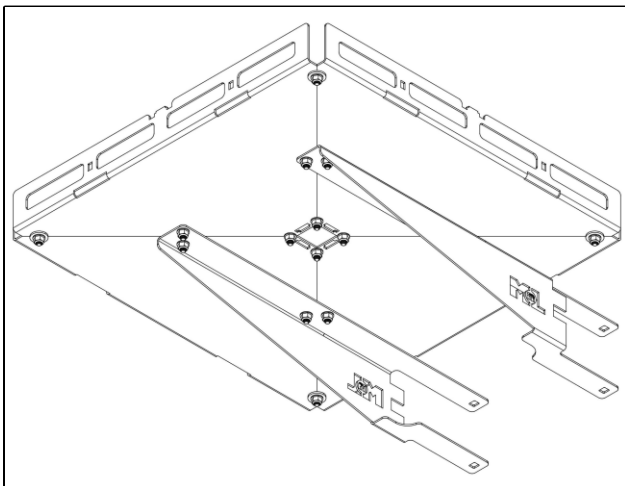


1. Insert small bolts through holes in tray wedges and through Arms where holes align (eight (8) Bolts fasten tray to Arms, eight (8) do not).

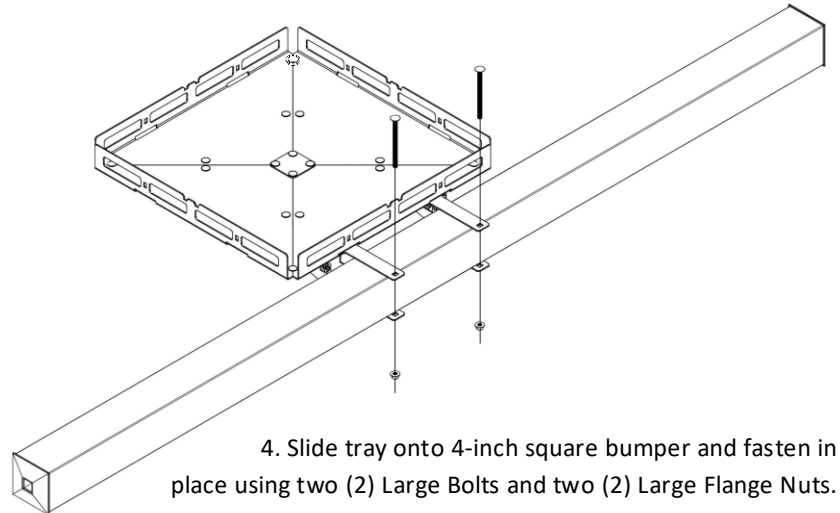
NOTE: Four (4) Washers go on the four (4) corner Bolts between tray top and Bolt head.



2. Fasten Small Bolt using Small Flange Nut with Washer on underside of tray, one at each corner. Attach Center Plate to top of tray using Small Bolts and Small Flange Nuts as shown.



3. Align Tray Wedges, then wrench tighten all nuts.



4. Slide tray onto 4-inch square bumper and fasten in place using two (2) Large Bolts and two (2) Large Flange Nuts.