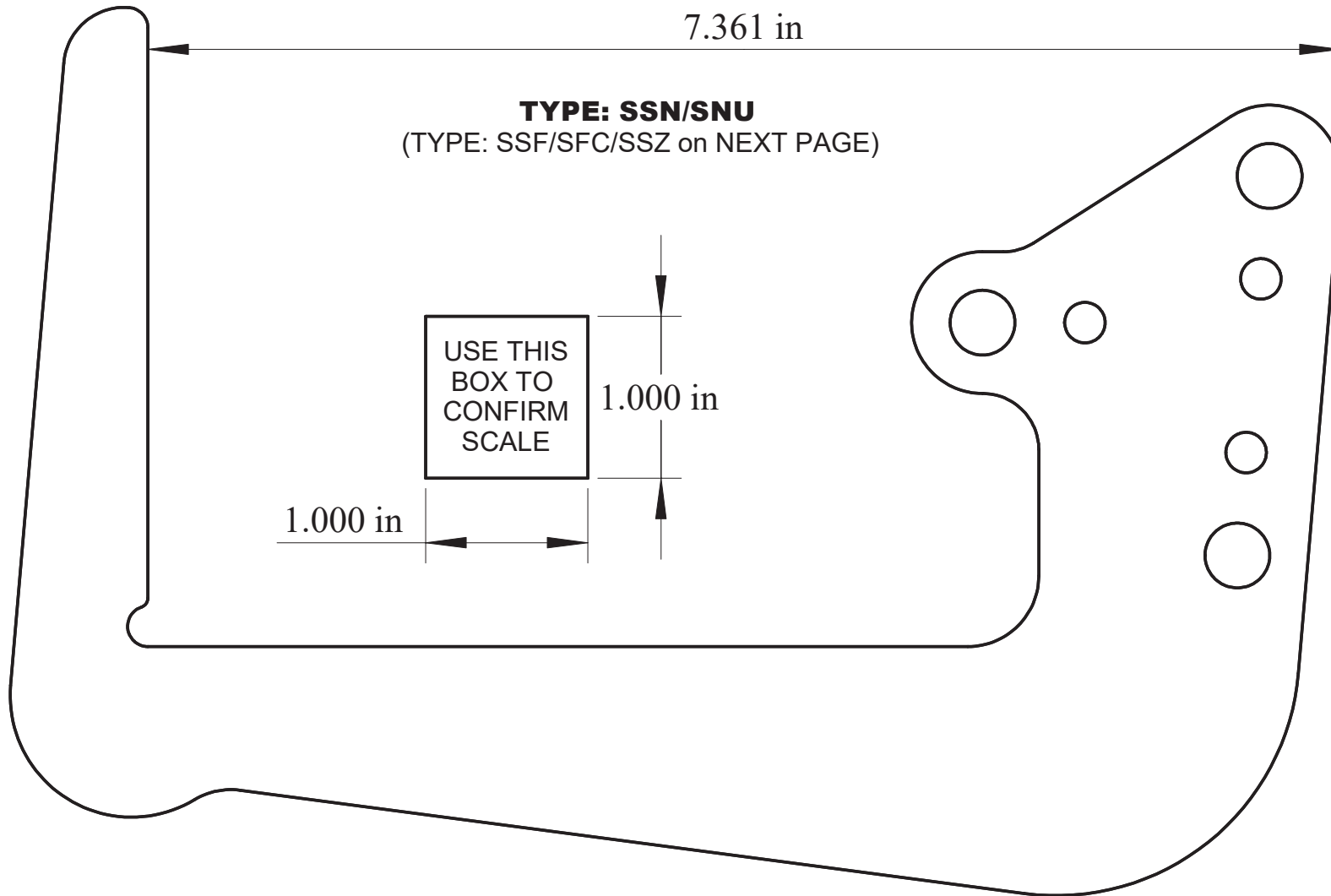


**** SET PRINTER SCALING TO 100% BEFORE PRINTING ****



**** SET PRINTER SCALING TO 100% BEFORE PRINTING ****

