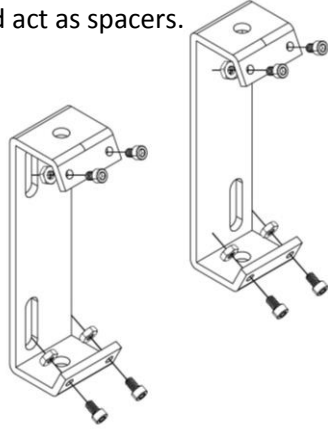


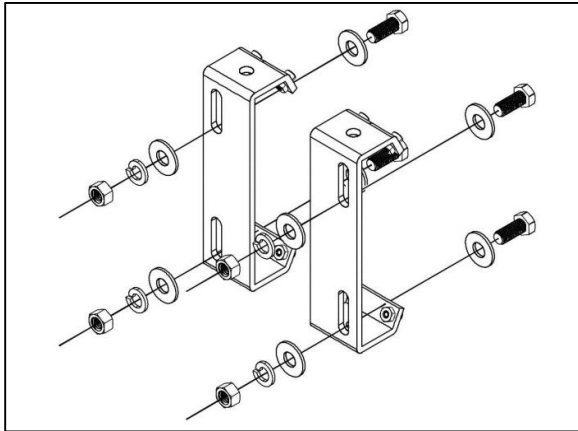
# Accessory Brackets Installation Guide

Thank you for purchasing the Mount-n-Lock™ Accessory Brackets. This guide will walk you through the steps needed to securely install it on your Mount-n-Lock™ Camper & RV Bumper-Rail.

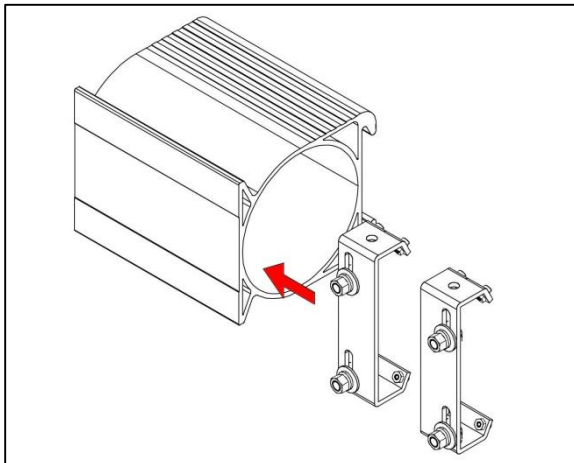
Step 1: Attach nylon fasteners to brackets. Nuts go on inside and act as spacers.



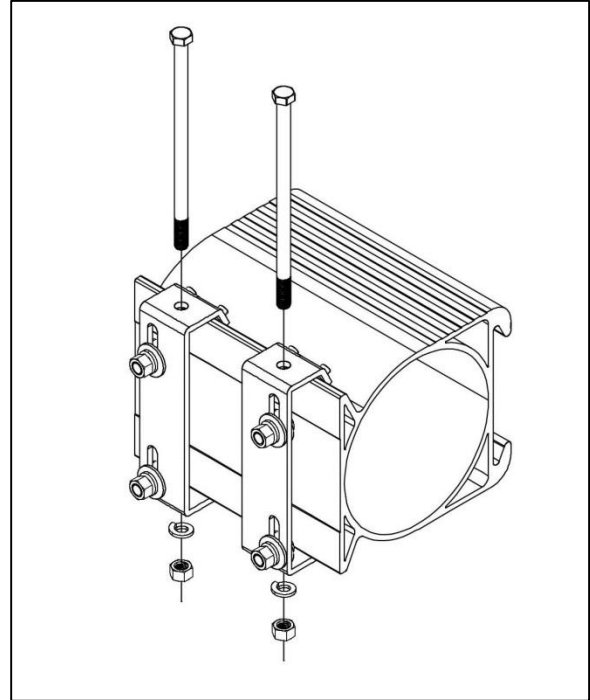
Step 2: Attach accessory mounting bolts to accessory brackets as shown and finger-tighten.



Step 3: Slide brackets onto bumper-rail.



Step 4: Insert accessory bracket retaining bolts and finger-tighten. Use mallet to tap bolts in.



Last Step: Remove accessory mounting nuts and washers, align accessory mounting bolts with holes in your accessory mounting plate (not shown), and mount your accessory. Once mounted and aligned, tighten all nuts and bolts to 44 ft. lbs. of torque using a torque wrench.

